

Troughs

- Quick Features :**
- Padlockable
 - Knockout provided
 - Powder coating



Visit www.eurobex.com for details.

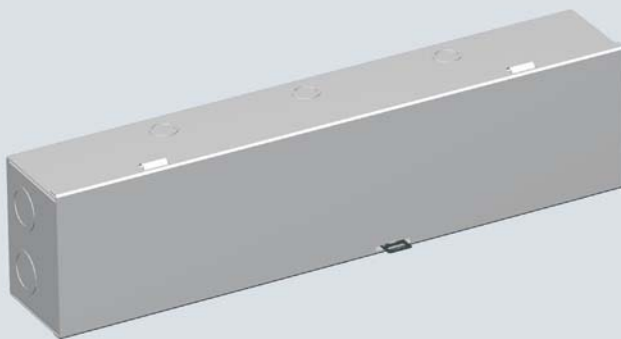
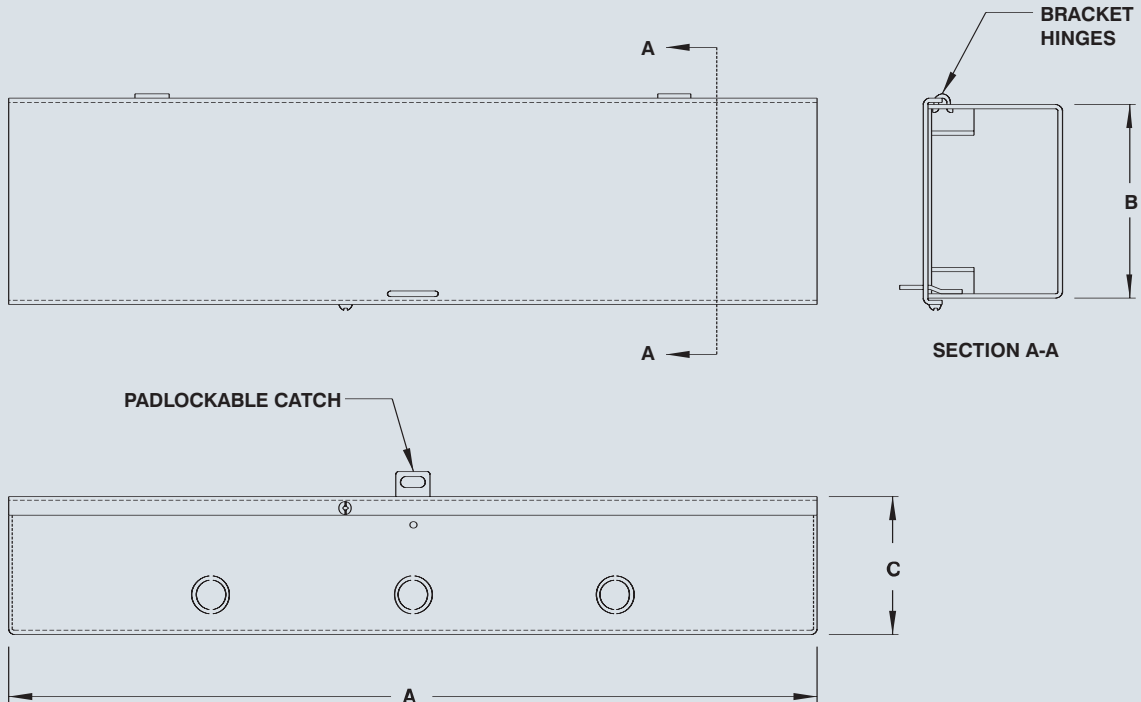
Call us toll free 1-800-363-2423

The 1100 T troughs are designed for ordinary locations. They are made from 14 GA or 16 GA steel. They have mounting holes in the back, knockouts, formed hinges

and provision for padlocking. Troughs are finished with heat fused polyester powder, electrostatically applied on a phosphatized base.

Trough is ANSI/ASA 61 grey (other colors available).

**CSA Certified
NEMA 1 / IP20**



| CATALOG NUMBER | DIMENSIONS | | | SHIP WGT LBS. |
|----------------|------------|----|---|---------------|
| | A | B | C | |
| 1100 T2100 | 24 | 6 | 4 | 12 |
| 1100 T3100 | 36 | 6 | 4 | 15 |
| 1100 T4100 | 48 | 6 | 4 | 20 |
| 1100 T5100 | 60 | 6 | 4 | 24 |
| 1100 T6100 | 72 | 6 | 4 | 28 |
| 1100 T2200 | 24 | 8 | 5 | 19 |
| 1100 T3200 | 36 | 8 | 5 | 26 |
| 1100 T4200 | 48 | 8 | 5 | 32 |
| 1100 T5200 | 60 | 8 | 5 | 40 |
| 1100 T6200 | 72 | 8 | 5 | 46 |
| 1100 T3400 | 36 | 10 | 6 | 34 |
| 1100 T4400 | 48 | 10 | 6 | 42 |
| 1100 T5400 | 60 | 10 | 6 | 50 |
| 1100 T6400 | 72 | 10 | 6 | 59 |

Data subject to change without notice.

Suggested Accessories



p.344



p.369



p.369



p.368