

Telephone cabinets

- Quick Features :**
- Several mounting options
 - ¼ turn lock
 - Powder coated



Visit www.eurobex.com for details.

Call us toll free 1-800-363-2423

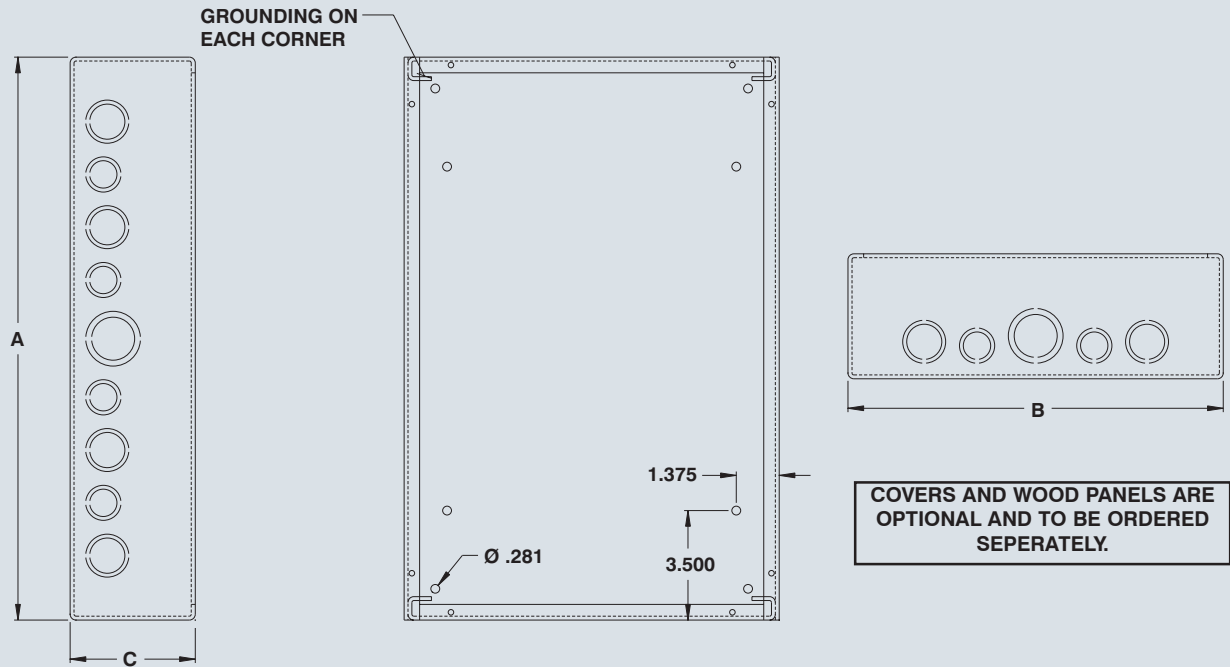
The 1100 TC are specifically designed for telephone equipment. They are made of 16 GA or 14 GA steel and three different covers can be attached to the main body. If the installation requires a hinged flush mounted enclosure, then one body (1100 TC) and one cover (1100 HCF) must be ordered. For a hinged

surface mounted enclosure, one body (1100 TC) and one cover (1100 HCS) must be ordered. If a screw cover is required, one body (1100 TC) and one screw cover (1100 FCD) must be ordered.

The hinged covers are provided with a screw-on hinge and are closed with a ¼ turn key lock

which ensures a positive door to box contact. Knockouts are provided and a wood back is available upon request. Boxes and covers are finished with heat fused polyester powder, electrostatically applied on a phosphatized base.

**CSA Certified / UL Listed
NEMA 1 / IP20**



CATALOG NUMBER	DIMENSIONS			SHIP WGHT LBS.	CATALOG NUMBER	DIMENSIONS			SHIP WGHT LBS.
	A	B	C			A	B	C	
1100 TC121204	12	12	4	7	1100 TC362406	36	24	6	32
1100 TC181204	18	12	4	10	1100 TC363006	36	30	6	37
1100 TC181804	18	18	4	12	1100 TC363606	36	36	6	43
1100 TC241804	24	18	4	15	1100 TC483006	48	30	6	47
1100 TC242404	24	24	4	19	1100 TC483606	48	36	6	53
1100 TC302404	30	24	4	22	1100 TC484806	48	48	6	66
1100 TC303004	30	30	4	27	1100 TC121208	12	12	8	14
1100 TC362404	36	24	4	26	1100 TC181208	18	12	8	18
1100 TC363004	36	30	4	31	1100 TC181808	18	18	8	21
1100 TC363604	36	36	4	36	1100 TC241808	24	18	8	25
1100 TC483004	48	30	4	39	1100 TC242408	24	24	8	30
1100 TC483604	48	36	4	45	1100 TC302408	30	24	8	34
1100 TC484804	48	48	4	58	1100 TC303008	30	30	8	39
1100 TC121206	12	12	6	11	1100 TC362408	36	24	8	38
1100 TC181206	18	12	6	13	1100 TC363008	36	30	8	44
1100 TC181806	18	18	6	17	1100 TC363608	36	36	8	50
1100 TC241806	24	18	6	20	1100 TC483008	48	30	8	54
1100 TC242406	24	24	6	24	1100 TC483608	48	36	8	61
1100 TC302406	30	24	6	28	1100 TC484808	48	48	8	76
1100 TC303006	30	30	6	33					

Data subject to change without notice.

Suggested Accessories



p.340

p.340

p.340

p.340

p.340

p.340

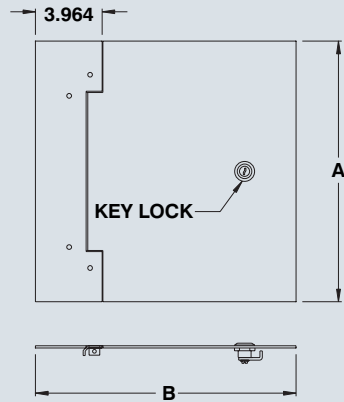
p.368

NEMA 1 ENCLOSURES

1100 covers

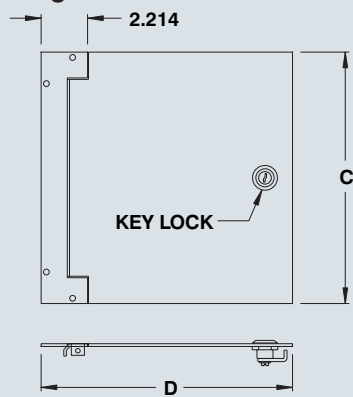


Hinged Flush Cover



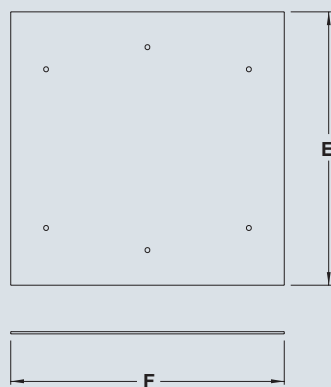
CATALOG NUMBER	DIMENSIONS		SHIP WGHT LBS.	CATALOG NUMBER	DIMENSIONS		SHIP WGHT LBS.
	A	B			A	B	
1100 HCF0606	9.5	9.5	2	1100 HCF1818	21.5	21.5	10
1100 HCF0806	11.5	9.5	3	1100 HCF2016	23.5	19.5	9
1100 HCF0808	11.5	11.5	3	1100 HCF2020	23.5	23.5	11
1100 HCF1008	13.5	11.5	3	1100 HCF2418	27.5	21.5	11
1100 HCF1010	13.5	13.5	4	1100 HCF2420	27.5	23.5	13
1100 HCF1206	15.5	9.5	4	1100 HCF2424	27.5	27.5	15
1100 HCF1208	15.5	11.5	4	1100 HCF3020	33.5	23.5	16
1100 HCF1210	15.5	13.5	5	1100 HCF3024	33.5	27.5	18
1100 HCF1212	15.5	15.5	5	1100 HCF3030	33.5	33.5	22
1100 HCF1512	18.5	15.5	6	1100 HCF3624	39.5	27.5	21
1100 HCF1515	18.8	18.5	7	1100 HCF3630	39.5	33.5	26
1100 HCF1612	19.5	15.5	7	1100 HCF3636	39.5	39.5	30
1100 HCF1616	19.5	19.5	8	1100 HCF4830	51.5	33.5	33
1100 HCF1812	21.5	15.5	7	1100 HCF4836	51.5	39.5	39
1100 HCF1815	21.5	18.5	8	1100 HCF4848	51.5	51.5	51

Hinged Surface Cover



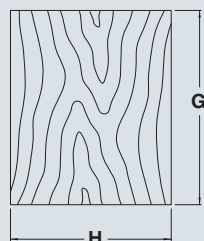
CATALOG NUMBER	DIMENSIONS		SHIP WGHT LBS.	CATALOG NUMBER	DIMENSIONS		SHIP WGHT LBS.
	C	D			C	D	
1100 HCS0606	6	6	1	1100 HCS1818	18	18	6
1100 HCS0806	8	6	1	1100 HCS2016	20	16	6
1100 HCS0808	8	8	1	1100 HCS2020	20	20	7
1100 HCS1008	10	8	1	1100 HCS2418	24	18	8
1100 HCS1010	10	10	2	1100 HCS2420	24	20	9
1100 HCS1206	12	6	1	1100 HCS2424	24	24	11
1100 HCS1208	12	8	2	1100 HCS3020	30	20	11
1100 HCS1210	12	10	2	1100 HCS3024	30	24	13
1100 HCS1212	12	12	3	1100 HCS3030	30	30	17
1100 HCS1512	15	12	3	1100 HCS3624	36	24	16
1100 HCS1515	15	15	4	1100 HCS3630	36	30	20
1100 HCS1612	16	12	4	1100 HCS3636	36	36	24
1100 HCS1616	16	16	5	1100 HCS4830	48	30	27
1100 HCS1812	18	12	4	1100 HCS4836	48	36	32
1100 HCS1815	18	15	5	1100 HCS4848	48	48	43

Screw-on Flush Cover



CATALOG NUMBER	DIMENSIONS		SHIP WGHT LBS.	CATALOG NUMBER	DIMENSIONS		SHIP WGHT LBS.
	E	F			E	F	
1100 FCD0606	9.5	9.5	2	1100 FCD1818	21.5	21.5	10
1100 FCD0806	11.5	9.5	3	1100 FCD2016	23.5	19.5	9
1100 FCD0808	11.5	11.5	3	1100 FCD2020	23.5	23.5	11
1100 FCD1008	13.5	11.5	3	1100 FCD2418	27.5	21.5	11
1100 FCD1010	13.5	13.5	4	1100 FCD2420	27.5	23.5	13
1100 FCD1206	15.5	9.5	4	1100 FCD2424	27.5	27.5	15
1100 FCD1208	15.5	11.5	4	1100 FCD3020	33.5	23.5	16
1100 FCD1210	15.5	13.5	5	1100 FCD3024	33.5	27.5	18
1100 FCD1212	15.5	15.5	5	1100 FCD3030	33.5	33.5	22
1100 FCD1512	18.5	15.5	6	1100 FCD3624	39.5	27.5	21
1100 FCD1515	18.8	18.5	7	1100 FCD3630	39.5	33.5	26
1100 FCD1612	19.5	15.5	7	1100 FCD3636	39.5	39.5	30
1100 FCD1616	19.5	19.5	8	1100 FCD4830	51.5	33.5	33
1100 FCD1812	21.5	15.5	7	1100 FCD4836	51.5	39.5	39
1100 FCD1815	21.5	18.5	8	1100 FCD4848	51.5	51.5	51

Wood Panel



CATALOG NUMBER	DIMENSIONS		SHIP WGHT LBS.	CATALOG NUMBER	DIMENSIONS		SHIP WGHT LBS.
	G	H			G	H	
881 WP1212	7	10.750	1	881 WP3624	31	22.750	10
881 WP1812	13	10.750	2	881 WP3630	31	28.750	13
881 WP1818	13	16.750	3	881 WP3636	31	34.750	16
881 WP2418	19	16.750	5	881 WP4830	43	28.750	16
881 WP2424	19	22.750	6	881 WP4836	43	34.750	22
881 WP3024	25	22.750	8	881 WP4848	43	44.750	29
881 WP3030	25	28.750	11				

Data subject to change without notice.