

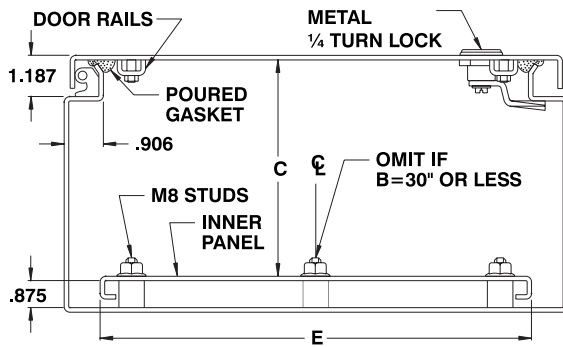
## Water, oil & dust tight painted stainless steel enclosures

The 5412 ESSP water, oil & dust tight enclosures are used indoors or outdoors in areas where a corrosion problem exists or where the enclosures may be subject to hosing or to water coming from any direction or for protection against dust, dirt or oil splashing. The 5412 ESSP are made from quality 14 GA or 16 GA (Type 304) stainless steel, with corner seams continuously welded. The opening has a curled lip around all sides to prevent dripping water from entering the

enclosure when the door is open, it also increases rigidity. A high quality robotically poured-in-place seamless gasket ensures a complete and durable water tight seal. The pins of the concealed hinges can be pulled out to remove the door. A ¼ turn locking mechanism ensures positive closing. Internal mounting holes are provided. Each enclosure comes **complete with a 12 GA inner panel** which is double bent\* for maximum rigidity and which mounts on M8

welded studs. The powder coating further protects the stainless steel against the elements. Panels and enclosures are finished with heat fused polyester powder, electrostatically applied on a pretreated base. Box is ANSI/ASA 61 gray, panel is white (other colors available).

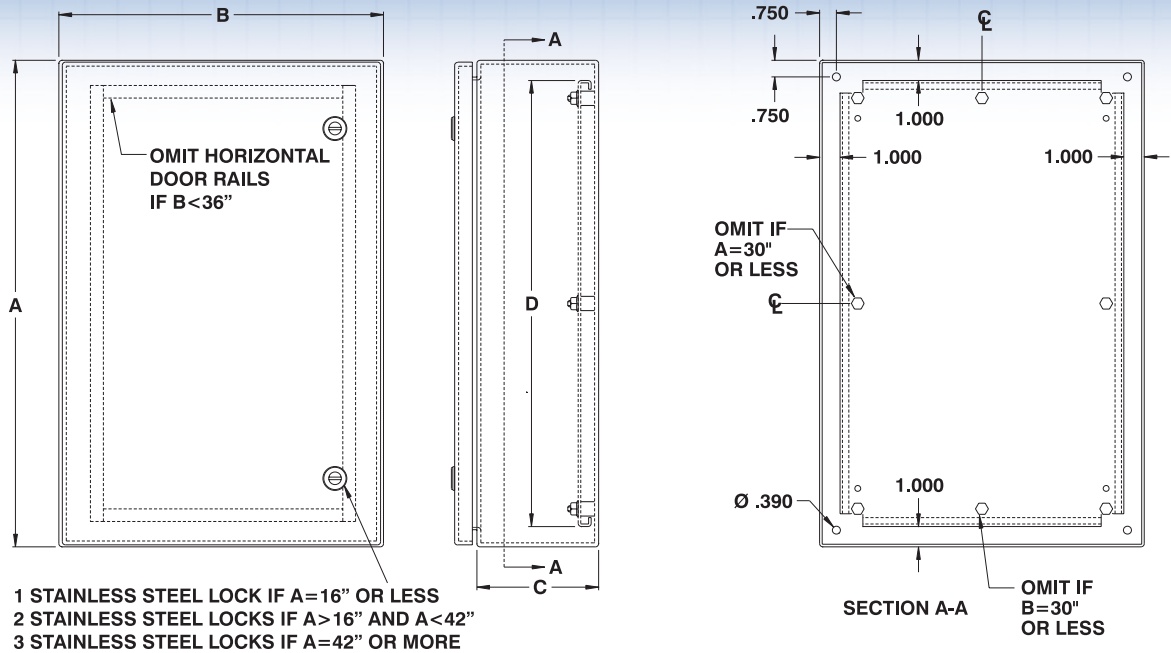
**CSA Certified / UL Listed  
NEMA/EEMAC 4X / IP66**



| CATALOG NUMBER  | DIMENSIONS |    |   |    |    | SHIP WTGT LBS. |
|-----------------|------------|----|---|----|----|----------------|
|                 | A          | B  | C | D  | E  |                |
| 5412 ESSP121206 | 12         | 12 | 6 | 10 | 10 | 19             |
| 5412 ESSP122406 | 12         | 24 | 6 | 10 | 22 | 35             |
| 5412 ESSP161206 | 16         | 12 | 6 | 14 | 10 | 24             |
| 5412 ESSP161606 | 16         | 16 | 6 | 14 | 14 | 31             |
| 5412 ESSP162006 | 16         | 20 | 6 | 14 | 18 | 37             |
| 5412 ESSP201206 | 20         | 12 | 6 | 18 | 10 | 29             |
| 5412 ESSP201606 | 20         | 16 | 6 | 18 | 14 | 37             |
| 5412 ESSP202006 | 20         | 20 | 6 | 18 | 18 | 45             |
| 5412 ESSP202406 | 20         | 24 | 6 | 18 | 22 | 53             |
| 5412 ESSP241206 | 24         | 12 | 6 | 22 | 10 | 35             |
| 5412 ESSP241606 | 24         | 16 | 6 | 22 | 14 | 44             |
| 5412 ESSP242006 | 24         | 20 | 6 | 22 | 18 | 53             |
| 5412 ESSP242406 | 24         | 24 | 6 | 22 | 22 | 62             |
| 5412 ESSP301606 | 30         | 16 | 6 | 28 | 14 | 53             |
| 5412 ESSP302006 | 30         | 20 | 6 | 28 | 18 | 65             |
| 5412 ESSP302406 | 30         | 24 | 6 | 28 | 22 | 76             |
| 5412 ESSP362406 | 36         | 24 | 6 | 34 | 22 | 90             |
| 5412 ESSP363006 | 36         | 30 | 6 | 34 | 28 | 109            |
| 5412 ESSP122408 | 12         | 24 | 8 | 10 | 22 | 38             |
| 5412 ESSP161208 | 16         | 12 | 8 | 14 | 10 | 27             |
| 5412 ESSP161608 | 16         | 16 | 8 | 14 | 14 | 34             |
| 5412 ESSP162008 | 16         | 20 | 8 | 14 | 18 | 41             |
| 5412 ESSP201208 | 20         | 12 | 8 | 18 | 10 | 33             |
| 5412 ESSP201608 | 20         | 16 | 8 | 18 | 14 | 41             |
| 5412 ESSP202008 | 20         | 20 | 8 | 18 | 18 | 49             |
| 5412 ESSP202408 | 20         | 24 | 8 | 18 | 22 | 57             |
| 5412 ESSP241208 | 24         | 12 | 8 | 22 | 10 | 38             |
| 5412 ESSP241608 | 24         | 16 | 8 | 22 | 14 | 48             |
| 5412 ESSP242008 | 24         | 20 | 8 | 22 | 18 | 57             |
| 5412 ESSP242408 | 24         | 24 | 8 | 22 | 22 | 67             |
| 5412 ESSP243008 | 24         | 30 | 8 | 22 | 28 | 81             |
| 5412 ESSP301208 | 30         | 12 | 8 | 28 | 10 | 46             |
| 5412 ESSP301608 | 30         | 16 | 8 | 28 | 14 | 58             |
| 5412 ESSP302008 | 30         | 20 | 8 | 28 | 18 | 70             |
| 5412 ESSP302408 | 30         | 24 | 8 | 28 | 22 | 81             |
| 5412 ESSP303008 | 30         | 30 | 8 | 28 | 28 | 98             |
| 5412 ESSP303608 | 30         | 36 | 8 | 28 | 34 | 116            |
| 5412 ESSP362408 | 36         | 24 | 8 | 34 | 22 | 95             |
| 5412 ESSP363008 | 36         | 30 | 8 | 34 | 28 | 116            |
| 5412 ESSP363608 | 36         | 36 | 8 | 34 | 34 | 136            |
| 5412 ESSP422408 | 42         | 24 | 8 | 40 | 22 | 110            |
| 5412 ESSP423008 | 42         | 30 | 8 | 40 | 28 | 133            |

Data subject to change without notice.





| CATALOG NUMBER  | DIMENSIONS |    |    |    |    | SHIP WGHT LBS. |
|-----------------|------------|----|----|----|----|----------------|
|                 | A          | B  | C  | D  | E  |                |
| 5412 ESSP423608 | 42         | 36 | 8  | 40 | 34 | 156            |
| 5412 ESSP482408 | 48         | 24 | 8  | 46 | 22 | 124            |
| 5412 ESSP483008 | 48         | 30 | 8  | 46 | 28 | 150            |
| 5412 ESSP483608 | 48         | 36 | 8  | 46 | 34 | 177            |
| 5412 ESSP603608 | 60         | 36 | 8  | 58 | 34 | 218            |
| 5412 ESSP161210 | 16         | 12 | 10 | 14 | 10 | 30             |
| 5412 ESSP201610 | 20         | 16 | 10 | 18 | 14 | 44             |
| 5412 ESSP202010 | 20         | 20 | 10 | 18 | 18 | 53             |
| 5412 ESSP241210 | 24         | 12 | 10 | 22 | 10 | 42             |
| 5412 ESSP242010 | 24         | 20 | 10 | 22 | 18 | 62             |
| 5412 ESSP242410 | 24         | 24 | 10 | 22 | 22 | 71             |
| 5412 ESSP302010 | 30         | 20 | 10 | 28 | 18 | 74             |
| 5412 ESSP302410 | 30         | 24 | 10 | 28 | 22 | 86             |
| 5412 ESSP303010 | 30         | 30 | 10 | 28 | 28 | 100            |
| 5412 ESSP362410 | 36         | 24 | 10 | 34 | 22 | 101            |
| 5412 ESSP363010 | 36         | 30 | 10 | 34 | 28 | 122            |
| 5412 ESSP423010 | 42         | 30 | 10 | 40 | 28 | 140            |
| 5412 ESSP423610 | 42         | 36 | 10 | 40 | 34 | 164            |
| 5412 ESSP483010 | 48         | 30 | 10 | 46 | 28 | 158            |
| 5412 ESSP483610 | 48         | 36 | 10 | 46 | 34 | 185            |
| 5412 ESSP603610 | 60         | 36 | 10 | 58 | 34 | 227            |
| 5412 ESSP201612 | 20         | 16 | 12 | 18 | 14 | 48             |
| 5412 ESSP202012 | 20         | 20 | 12 | 18 | 18 | 57             |
| 5412 ESSP202412 | 20         | 24 | 12 | 18 | 22 | 66             |
| 5412 ESSP242012 | 24         | 20 | 12 | 22 | 18 | 66             |
| 5412 ESSP242412 | 24         | 24 | 12 | 22 | 22 | 76             |
| 5412 ESSP302412 | 30         | 24 | 12 | 28 | 22 | 92             |
| 5412 ESSP303012 | 30         | 30 | 12 | 28 | 28 | 110            |
| 5412 ESSP362412 | 36         | 24 | 12 | 34 | 22 | 107            |

| CATALOG NUMBER  | DIMENSIONS |    |    |    |    | SHIP WGHT LBS. |
|-----------------|------------|----|----|----|----|----------------|
|                 | A          | B  | C  | D  | E  |                |
| 5412 ESSP363012 | 36         | 30 | 12 | 34 | 28 | 129            |
| 5412 ESSP363612 | 36         | 36 | 12 | 34 | 34 | 150            |
| 5412 ESSP422412 | 42         | 24 | 12 | 40 | 22 | 118            |
| 5412 ESSP423012 | 42         | 30 | 12 | 40 | 28 | 147            |
| 5412 ESSP423612 | 42         | 36 | 12 | 40 | 34 | 172            |
| 5412 ESSP482412 | 48         | 24 | 12 | 46 | 22 | 138            |
| 5412 ESSP483612 | 48         | 36 | 12 | 46 | 34 | 193            |
| 5412 ESSP602412 | 60         | 24 | 12 | 58 | 22 | 169            |
| 5412 ESSP603612 | 60         | 36 | 12 | 58 | 34 | 236            |
| 5412 ESSP723012 | 72         | 30 | 12 | 70 | 28 | 240            |
| 5412 ESSP723612 | 72         | 36 | 12 | 70 | 34 | 279            |
| 5412 ESSP242016 | 24         | 20 | 16 | 22 | 18 | 74             |
| 5412 ESSP242416 | 24         | 24 | 16 | 22 | 22 | 86             |
| 5412 ESSP302416 | 30         | 24 | 16 | 28 | 22 | 102            |
| 5412 ESSP362416 | 36         | 24 | 16 | 34 | 22 | 119            |
| 5412 ESSP363016 | 36         | 30 | 16 | 34 | 28 | 142            |
| 5412 ESSP423616 | 42         | 36 | 16 | 40 | 34 | 187            |
| 5412 ESSP483616 | 48         | 36 | 16 | 46 | 34 | 210            |
| 5412 ESSP603616 | 60         | 36 | 16 | 58 | 14 | 255            |
| 5412 ESSP723016 | 72         | 30 | 16 | 70 | 28 | 260            |
| 5412 ESSP723616 | 72         | 36 | 16 | 70 | 34 | 301            |
| 5412 ESSP302420 | 30         | 24 | 20 | 28 | 22 | 113            |
| 5412 ESSP363020 | 36         | 30 | 20 | 34 | 28 | 155            |
| 5412 ESSP483620 | 48         | 36 | 20 | 46 | 34 | 226            |
| 5412 ESSP603620 | 60         | 36 | 20 | 58 | 34 | 274            |
| 5412 ESSP723020 | 72         | 30 | 20 | 70 | 28 | 280            |
| 5412 ESSP302424 | 30         | 24 | 24 | 28 | 22 | 123            |
| 5412 ESSP723024 | 72         | 30 | 24 | 70 | 28 | 300            |

\* Only panels with sides 20" or more are double bent.

† For stainless steel type 316, add suffix '6' to the catalog number (ie. 5412 ESSP1612086).

‡ For brushed stainless steel, see the 5412 ESS series on the preceding page.

Data subject to change without notice.

