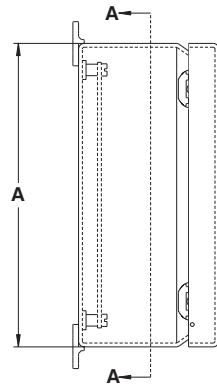
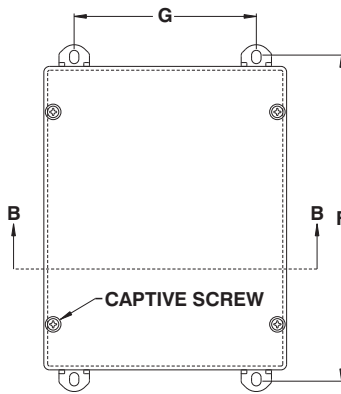


Stainless steel screwed cover enclosure

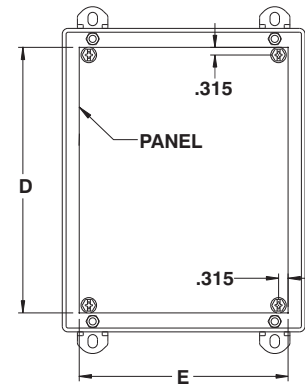
The 5412 ESSSC stainless steel screw cover enclosures are used indoors or outdoors to protect the enclosed controls from dust, dirt, oil and water splashing. The box and cover are made from 16 GA (Type 304) stainless steel with all seams continuously welded. The opening has a curled lip around all sides to prevent dripping water from entering the enclosure when

the door is open, it also increases rigidity. A high quality robotically poured-in-place seamless gasket ensures a complete and durable water tight seal. The enclosure can be internally mounted or externally mounted using the included die cast wall mounting feet. These feet have oblong holes to facilitate installation. Each enclosure comes com-

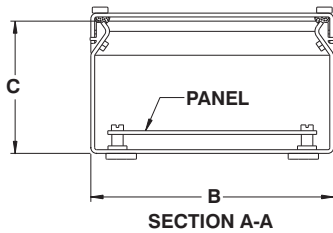
plete with a 14 GA inner panel which mounts on weldnuts. The enclosures' exterior are unpainted and brushed smooth. The enclosures' interior and panels are finished with white heat fused polyester powder, electrostatically applied on a pretreated base. **CSA Certified / UL Listed**
NEMA/EEMAC 4X / IP66



NOTE: - TWO MOUNTING FEET IF B=4" OR LESS



SECTION B-B



SECTION A-A



CATALOG NUMBER	DIMENSIONS							SHIP WGT LBS.
	A	B	C	D	E	F	G	
5412 ESSSC120202	12	2	2.312	No.Pan.	No.Pan.	12.750	----	3
5412 ESSSC040403	4	4	3.312	No.Pan.	No.Pan.	4.750	----	2
5412 ESSSC060403	6	4	3.312	4.880	2.880	6.750	----	3
5412 ESSSC060404	6	4	4.312	4.880	2.880	6.750	----	4
5412 ESSSC060604	6	6	4.312	4.880	4.880	6.750	4.000	5
5412 ESSSC080604	8	6	4.312	6.880	4.880	8.750	4.000	6
5412 ESSSC080804	8	8	4.312	6.880	6.880	8.750	6.000	8
5412 ESSSC100804	10	8	4.312	8.880	6.880	10.750	6.000	9
5412 ESSSC101004	10	10	4.312	8.880	8.880	10.750	8.000	10
5412 ESSSC120404	12	4	4.312	10.880	2.880	12.750	----	6
5412 ESSSC160404	16	4	4.312	14.880	2.880	16.750	----	6
5412 ESSSC121005	12	10	5.312	10.880	8.880	12.750	8.000	13
5412 ESSSC080606	8	6	6.312	8.880	4.880	8.750	4.000	7
5412 ESSSC100806	10	8	6.312	8.880	6.880	10.750	6.000	10
5412 ESSSC101006	10	10	6.312	8.880	8.880	10.750	8.000	11
5412 ESSSC120606	12	6	6.312	10.880	4.880	12.750	4.000	9
5412 ESSSC121206	12	12	6.312	10.880	10.880	12.750	10.000	15
5412 ESSSC141206	14	12	6.312	12.880	10.880	14.750	10.000	19
5412 ESSSC160606	16	6	6.312	14.880	4.880	16.750	4.000	11
5412 ESSSC161406	16	14	6.312	14.880	12.880	16.750	12.000	23
5412 ESSSC141208	14	12	8.312	12.880	10.880	14.750	10.000	20
5412 ESSSC161410	16	14	10.312	14.880	12.880	16.750	12.000	25

Data subject to change without notice.

