

NEMA 12-13 SAFETY DISCONNECT 5500 ESSY

Stainless steel safety disconnect enclosures

- Quick Features :**
- Seamless welding
 - Poured gasket
 - Door handle
 - Drip shield
 - Superior hinging
 - 180° door opening
 - Panel is included
 - Panel is double bent
 - Stainless steel



Visit www.eurobex.com for details.

Call us toll free 1-800-363-2423

The 5500 ESSY right flange-mounted safety disconnect enclosures are used indoors for protection against dirt, dust and water splashing. The 5500 ESSY are made from quality 14 GA or 16 GA (type 304) stainless steel, with corner seams continuously welded. The opening has a curled lip around three sides to prevent dripping water from entering the enclosure when the door is open, it also increases rigidity. The pins of the concealed hinges can be pulled out to

remove the door. The 5500 ESSY features a convenient factory-installed door handle which interlocks with the disconnect switch and facilitates the installation of the enclosure, streamlines the ordering process and increases the ease of use of the enclosure. Enclosures higher than 42" are equipped with a 3 point locking mechanism while smaller enclosures come with a 2 point locking mechanism. Door and body stiffeners are also provided on larger models. Internal mounting holes

are provided. Each enclosure comes complete with a 12 GA inner panel which is double bent for maximum rigidity and which mounts on M8 welded studs. The enclosures' exterior are unpainted and brushed smooth. The enclosures' interior and panels are finished with white heat fused polyester powder, electrostatically applied on a phosphatized base.

**CSA Certified / UL Listed
NEMA 12-13 / IP65**

If the 5500 ESSY is to be used with a flange mounted disconnect switch or a circuit breaker, the following items must be ordered:

Ordering an Allen-Bradley 1494V Disconnect switch

- an operating mechanism with the disconnect switch 1494V
- an operating handle 1494V-H1
- a connecting rod 1494V-RA1 if the enclosure is 8" deep or 1494V-RA2 if the enclosure is 12" deep
- if required, a trailer fuse block kit 1494V, a fuse clip and line and load connectors.

Circuit breaker

- a Westinghouse or General Electric circuit breaker.
- an operating mechanism 1494V
- an operating handle 1494V-H11
- a connecting rod 1494V-RA1 if the enclosure is 8" deep or 1494V-RA2 if the enclosure is 12" deep

Ordering a Cutler Hammer Disconnect switch catalog C361

- an operating mechanism with the disconnect switch
- an operating handle (C361-H2 or H4)

Circuit breaker operators catalog C371

- a Cutler hammer or Westinghouse circuit breaker
- an operating mechanism
- an operating handle

Ordering a Square D Class 9422 Disconnect switch

- an operating mechanism with the disconnect switch class 9422
- an operating mechanism handle class 9422 Type A-1

Circuit breaker

- a Square D circuit breaker
- an operating mechanism class 9422
- an operating mechanism handle class 9422 Type A-1

Ordering a General Electric Disconnect Switches

- a disconnect switch QMR or QMW
- a fuse clip kit if required
- a TDAI flange handle
- an operating mechanism, variable depth

Circuit breakers

- a circuit breaker
- a TDAI flange handle
- an operating handle 1494V-H11
- an operating mechanism, variable depth

Ordering an Asea Brown Boveri Disconnect switches

- a switch flange operated fuse if required

- a DSFHS-12 shaft
- a DSFHN-HS12 handle

Circuit breaker

- a circuit breaker
- an operating mechanism
- a FHS-12 shaft
- a FHN-HS12 handle

Ordering an I-T-E Max-Flex™ Disconnect switch

- a basic right hand switch
- a fuse kit if required
- a handle FHOHS flange mounted
- an operator FHOSO6R
- a cable FHOECO36

Circuit breaker

- a circuit breaker
- a set of pressure wire connectors
- a handle FHOH flange mounted
- an operating mechanism
- a standard cable 36"

Ordering a Westinghouse

- a disconnect switch or circuit breaker type DS
- a yoke assembly and backplate
- a rod and brace assembly
- a pivot mechanism
- an operating handle

Disconnect switches and operating mechanisms are not furnished with the enclosures.



Data subject to change without notice.

Suggested Accessories



p.351



p.344



p.364



p.364



p.366

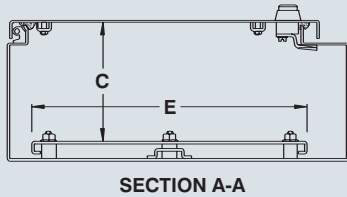
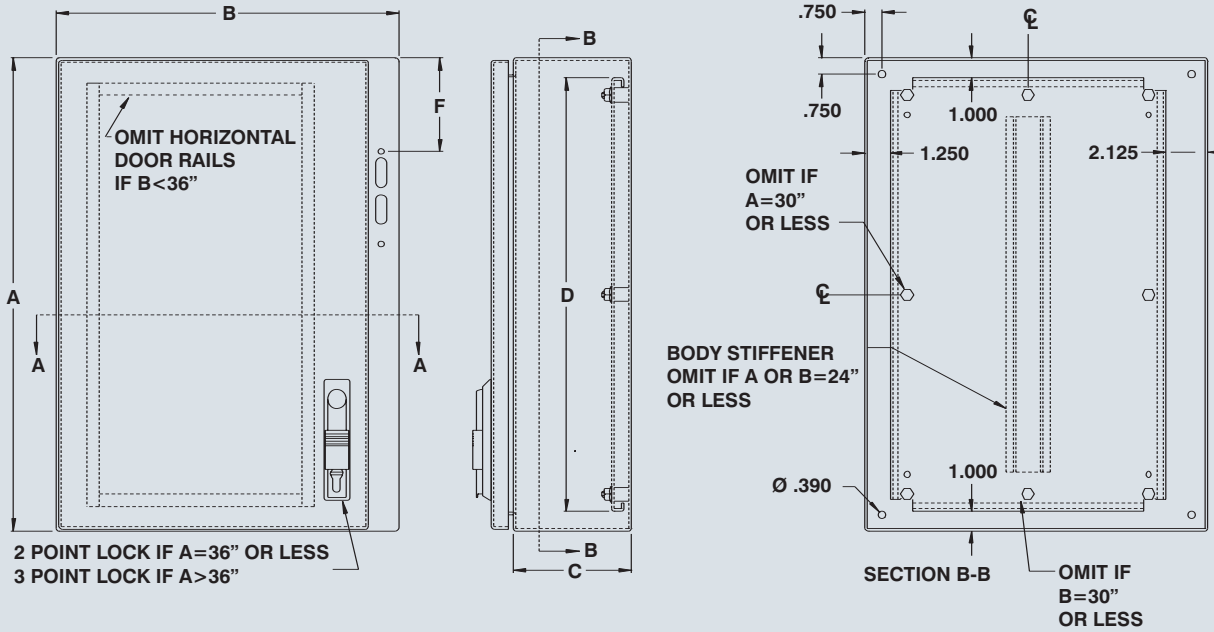


p.365



p.360

NEMA 12-13 SAFETY DISCONNECT 5500 ESSY



Note :
For stainless steel type 316, add suffix '6' to the catalog number (i.e. 5500 ESSY2021086)

† Only panels with sides 20" or more are double bent.

* This enclosure will only accept the Allen-Bradley DS 200 and the DS 400 disconnect class.

CATALOG NUMBER	DIMENSIONS						SHIP WGT LBS.
	A	B	C	D	E	F	
5500 ESSY202108	20	21.375	8	18	18	4.75	51
5500 ESSY242108	24	21.375	8	22	18	4.75	61
5500 ESSY242508	24	25.375	8	22	22	4.75	67
5500 ESSY302108	30	21.375	8	28	18	4.75	74
5500 ESSY302508	30	25.375	8	28	22	4.75	85
5500 ESSY362508	36	25.375	8	34	22	4.75	100
5500 ESSY363108	36	31.375	8	34	28	4.75	121
5500 ESSY423108	42	31.375	8	40	28	4.75	137
5500 ESSY423708	42	37.375	8	40	34	4.75	154
5500 ESSY483708	48	37.375	8	46	34	4.75	172
5500 ESSY603708	60	37.375	8	58	34	4.75	245
5500 ESSY202110	20	21.375	10	18	18	7.094	55
5500 ESSY242110	24	21.375	10	22	18	7.094	68
5500 ESSY242510	24	25.375	10	22	22	7.094	75
5500 ESSY302110	30	21.375	10	28	18	7.094	78
5500 ESSY302510	30	25.375	10	28	22	7.094	90
5500 ESSY362510	36	25.375	10	34	22	7.094	110
5500 ESSY363110	36	31.375	10	34	28	7.094	126
5500 ESSY423110	42	31.375	10	40	28	7.094	143
5500 ESSY423710	42	37.375	10	40	34	7.094	143
5500 ESSY483710	48	37.375	10	46	34	7.094	211
5500 ESSY603710	60	37.375	10	58	34	7.094	250
5500 ESSY302512	30	25.375	12	28	22	11.625	100
5500 ESSY363112	36	31.375	12	34	28	11.625	130
5500 ESSY423112	42	31.375	12	40	28	11.625	150
5500 ESSY423712	42	37.375	12	40	34	11.625	200
5500 ESSY483712	48	37.375	12	46	34	11.625	220
5500 ESSY603712	60	37.375	12	58	34	11.625	257
5500 ESSY363116	36	31.375	16	34	28	11.625	150
5500 ESSY483716	48	37.375	16	46	34	11.625	232
5500 ESSY603716	60	37.375	16	58	34	11.625	265
* 5500 ESSYB603712	60	37.375	12	58	34	18.375	257

Data subject to change without notice.

