

NEMA 12-13 MTRX CABINETS

6500 MXDF



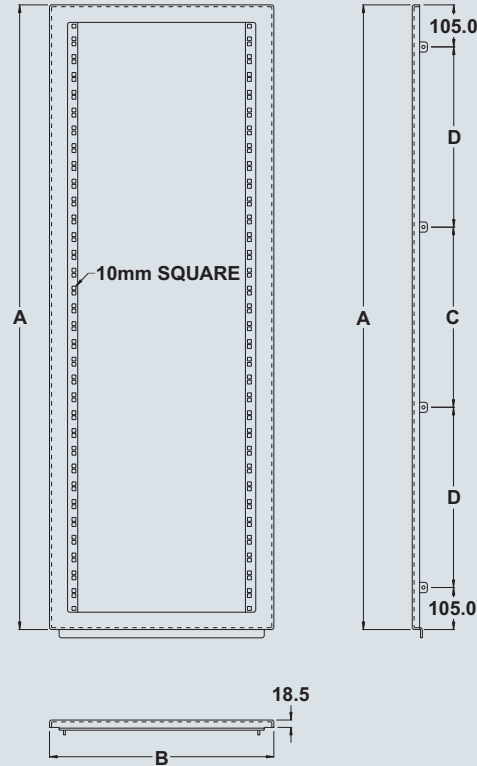
Dress frame 19" rack



The 6500 MXDF dress frames are used instead of a door, when the front or back of the enclosure must remain open. This frame is designed to accommodate 19" rack

equipment, with a 0.28" diameter hole pattern. Clip nuts and screws for 19" rack mounting can be ordered separately. (see page 60)

Frames are finished with heat fused polyester powder, electrostatically applied on a phosphatized base. Finish is RAL 7035 textured light grey.



Please note:
Dress frames are open and are not water, oil and dust tight.

Visit www.eurobex.com for details.

Call us toll free 1-800-363-2423

CATALOG NUMBER	NOMINAL		DIMENSIONS				RACK UNITS
	H	W	A	B	C	D	
6500 MXDF0706	700	600	660	595	-	-	13
6500 MXDF1406	1400	600	1360	595	450	350	29
6500 MXDF1606	1600	600	1560	595	450	450	33
6500 MXDF1806	1800	600	1760	595	500	525	38
6500 MXDF2006	2000	600	1960	595	600	575	42
6500 MXDF2206	2200	600	2160	595	650	650	47

Please note:
If you require rack angles to support the back portion of your electronic equipment, order 6500 MXL rack angles separately. Refer to page 88.

ADD SUFFIX 'SS' FOR BRUSHED STAINLESS STEEL

ADD SUFFIX 'SSP' FOR POWDER COATED STAINLESS STEEL

NOT AVAILABLE WITH EMI/RFI SHIELDING

Data subject to change without notice.

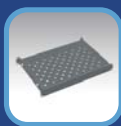
Suggested Accessories



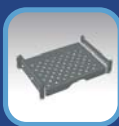
p.60



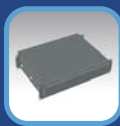
p.89



p.90



p.90



p.90



p.91



p.92