

## Oil, dust & water tight free standing enclosures

- Quick Features :**
- ¼ turn locks
  - Drip shield
  - 12 GA steel
  - Seamless welding
  - Poured gasket
  - Die cast hinges
  - Side panels available
  - Powder coated



Visit [www.eurobex.com](http://www.eurobex.com) for details.

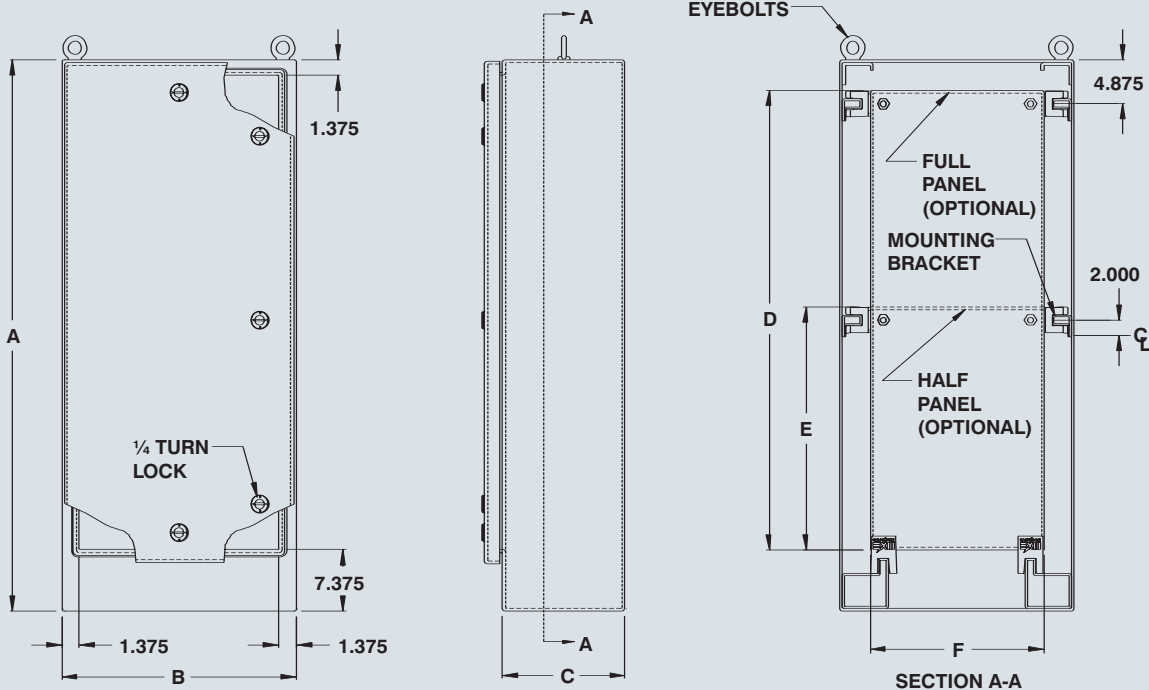
Call us toll free 1-800-363-2423

The 9412 water, oil & dust tight enclosures are used indoors or outdoors in areas where the enclosures may be subject to hosing or to water coming from any direction or for protection against dust, dirt or oil splashing. The 9412 are made from quality 12 GA steel, with corner seems continuously welded. The opening has a curled lip around all sides to prevent dripping water from entering the enclosure when

the door is open, it also increases rigidity. A high quality robotically poured-in-place seamless gasket ensures a complete and durable water tight seal. The pins of the concealed hinges can be pulled out to remove the door. Quarter turn locking mechanisms on three sides of the door ensure positive closing. Optional back panels can be mounted at any depth, using the three sets of rails welded on the sides of the cabi-

net. Side panels can also be ordered separately. A print pocket is provided. Enclosures and panels are finished with heat fused polyester powder, electrostatically applied on a phosphatized base. Box is ANSI/ASA 61 gray, panel is white (other colors available).

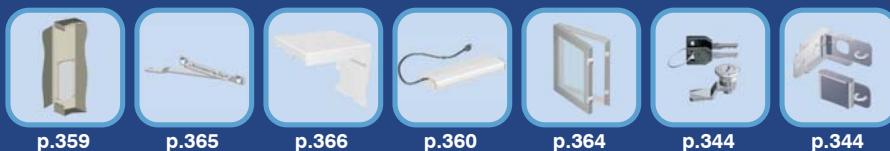
**CSA Certified / UL Listed  
NEMA 4-12 / IP66**



CATALOG NUMBER	DIMENSIONS						EQUIPMENT PANEL		SHIP WGT LBS.
	A	B	C	D	E	F	FULL	HALF	
9412 722418	72	24	18	60	30.875	20	889 FP7224	889 HP7224	258
9412 723024	72	30	24	60	30.875	26	889 FP7230	889 HP7230	347
9412 723624	72	36	24	60	30.875	32	889 FP7236	889 HP7236	383
9412 902420	90	24	20	78	39.875	20	889 FP9024	889 HP9024	355
9412 903624	90	36	24	78	39.875	32	889 FP9036	889 HP9036	390
9412 903636	90	36	36	78	39.875	32	889 FP9036	889 HP9036	443

Data subject to change without notice.

## Suggested Accessories



p.359

p.365

p.366

p.360

p.364

p.344

p.344