

FILTER FANS

Filter fan for outdoor use

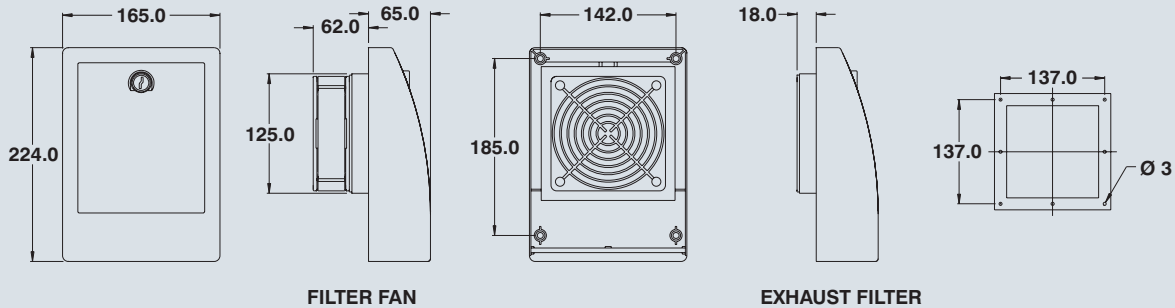


Quick Features :

- Housing made of heat resistant ASA plastic (UL94H-B)
- Finish is light grey
- F5 filter quality grade (EN779)
- 98% dedusting degree
- Ball bearing axial fans; 50,000 hours life time at 25°C ambient
- Electric connections via terminals
- Tool operated filter latch
- UL, cUL

Technical Data :

Dimensions (H x W x D) :	224mm X 165mm X 127mm
Power consumption :	15 W
Operating temperature :	-30°C-70°C
Noise level :	40db(A) (DIN EN ISO 9614-2)
Free blowing air volume :	20m ³ /h (increases by approx. 15% for 120V/60hz units)
Housing :	Plastic (UL94V-O)
Filter grade :	360 g/m ² , filtering degree 98% Particle < 10 um (EN779), F5 (EN779)
Protection degree :	IP55 with standard F5 filter (887 SF9)



CATALOG NUMBER †	VOLTAGE	AMPS (Inrush)	AIRFLOW DIRECTION	EXHAUST FILTER †	DIMENSIONS (H X W X D)	SHIPPING WEIGHT
01821.0-02	120V	60Hz	Intake only	11821.0-00	224 x 165 x 127	2
01821.0-00	230V	50Hz	Intake only	11821.0-00	224 x 165 x 127	2

† The exhaust filter is ordered separately.

EMC Filter fan for outdoor use

The FF01821 series EMC filter fans provide electromagnetic protection to enclosures. In the range of 100Mhz to 1000Mhz, the

attenuation factor varies from 65db to 45db. This is achieved by inserting a fine mesh metallic net in the filter holder, the use of

special EMI shielding gasket and of a conductive paint on the internal part of the unit.

CATALOG NUMBER †	VOLTAGE	AMPS (Inrush)	AIRFLOW DIRECTION	EXHAUST FILTER †	DIMENSIONS (H X W X D)	SHIPPING WEIGHT
01821.1-02	120V	60Hz	Intake only	11821.1-00	224 x 165 x 127	2
01821.1-00	230V	50Hz	Intake only	11821.1-00	224 x 165 x 127	2

† The exhaust filter is ordered separately.

Data subject to change without notice.